

Top 100
Global
Innovator
for 10 years

CAST RESIN TRANSFORMER



LS *ELECTRIC*

High quality



High efficiency



Eco-friendly





CAST RESIN TRANSFORMER

Closer than you imagine

Where there is light brightening and moving the world, from homes to offices, from factories to airports, power is supplied everywhere, with LS ELECTRIC by the side. We are bringing you the light, to wherever you are.

Contents

Feature	4
Application fields	6
Components	8
Manufacturing and quality management	10
Standard specification	11
Metasol technical data	12
Metasol T1 technical data	14
Metasol T2 technical data	16
Installation and operation conditions	18

Feature

Metasol **CAST RESIN TRANSFORMER**

Our transformer is in compliance with IEC standard, and its compact design is the strength compared to Metasol T1 and T2 of same specification with lower initial purchasing cost. It offers various options to help create the right solution suitable for each condition.

Metasol T1 Metasol T2 **CAST RESIN TRANSFORMER**

To meet the eco-design requirements of EU, EN 50588-1 and IEC60076-20, LS ELECTRIC has developed different models of transformer (Metasol T1 and Metasol T2) that oriented to energy saving. These transformers implement eco-design, satisfy the requirement on maximum losses in tier 1 and tier 2 and show the highest efficiency. It allows a reduction in power consumption and contributes to a reduction in greenhouse gas emission.



"We have an authorized power test technology center, operating ISO 9001-certified quality assurance system, and performing tests according to IEC 60076 or international standards."



This is a compact and high-efficiency product made with cutting-edge technology that is easy to maintain, excellent in short circuit strength, humidity resistance and non-combustibility, and also suitable for equipment with severe load variations such as electric-train power supply systems, etc.

Short circuit strength

The coils are vacuum-cast with epoxy resin with excellent electrical and mechanical strength to be strong against short circuit accidents.

Suitable for supplying power to equipment with rapidly changing loads

Suitable for equipment such as electric-train power supply equipment and rolling equipment.

Impulse voltage strength

This has excellent impulse voltage strength owing to the outstanding insulation performance of epoxy resin and the design of split winding type.

Easy to maintain

This doesn't need insulation oil exchange or separate fire-fighting equipment.

Humidity resistance

The high voltage coils are vacuum-molded to prevent moisture ingress during long-term storage so that it is possible to input power without drying.

Reduction of environmental impact

We obtain the certification F1,E2,C1 from CESI(Italia) and E3,C3 from FILK(Korea), according to IEC 60076-11.

Overload tolerance

LS Cast Resin Transformer has an excellent overload tolerance compared to the oil immersed type transformer to be used normally even at a temporary overload state.

Non-combustibility

LS Cast Resin Transformer uses non-combustible epoxy resin to prevent fires due to electric arcs and has self-extinguishability.

Overload capability

LS Cast Resin Transformer has an excellent overload capability compared to the oil immersed type transformer to be used normally even at a temporary overload site

Application fields

**"LS Cast Resin Transformers can be used in various fields.
Here are a some possible applications."**

1	2	3
4	5	6
7	8	9

1. Semiconductor factory, LCD factory
2. High-rise building, Apartment
3. Subway, Express railway
4. Thermal power plant, Transformer station, Petrochemical plant
5. Hospital
6. Solar photovoltaic
7. Car factory, Rolling factory
8. Airport, Port
9. Hydro-power plant, Water treatment facility

Places requiring high reliability

Nuclear power plant, semiconductor factory, car factory, petrochemical factory, drilling ship, dock crane, Rolling factory, international airport, thermal power plant, transformer station, performance place

Power supply for complex facilities

High-rise building, multipurpose building, apartment

Public places where fire prevention is important

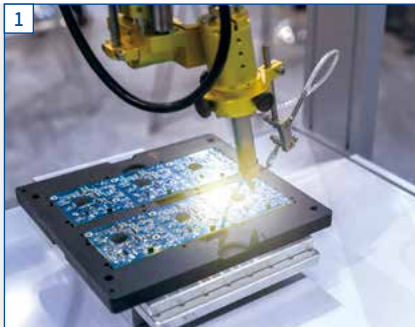
Underground store, subway, hotel, hospital

Places requiring resistance against environments such as water contamination, etc.

Water treatment facility, hydro-power plant

Renewables energy

Solar photovoltaics, Wind power, etc.



Special-purpose Cast Resin Transformer

LS Cast Resin Transformer is not only being widely used for general power distribution and power generation but is also customized conforming to customer's order specification.

* For special-purpose transformers, please contact us for more information

Ground transformer

- This is a transformer installed to supply a neutral point for grounding in power systems where it is difficult to take a proper grounding method.
- This mainly uses Wye-Delta connection or Zig-Zag connection, and is made for short time rating.

Equipment test transformer

- This is a transformer used for short circuit tests, etc. for equipment, so it deals with large currents and requires special insulation design considering transient voltages due to frequent switching

Subway power supply transformer

- Places requiring resistance against environments such as water contamination, etc.

Transformer for nuclear power plant

- This is a transformer fulfilling the characteristics(seismic, environmental) of class 1 electric equipment required by nuclear power plants.
- It is required to have a quality assurance qualification certificate required by the Korea electric power industry criterion(KEPIC).

Harmonic enduring transformer

- If a conventional transformer is used on a load that contains harmonic rather than a sine wave, it causes problems such as overheating, noise increase, etc.
- This transformer is specially designed considering Harmonic component analysis data(K-Factor) It can be applied on loads such as communication equipment, rectifier, inverter.

Ship transformer

- This is a transformer fulfilling the severe environment condition of ships that requires high reliability such as vibration resistance, salt resistance, etc.
- An AFWF(forced water cooling type transformer) technology is used considering the fact that the temperature in transformer stations is high due to the characteristics of ships.
- We have secured ship class certification such as ABS, BV, GL, DNV, KR, etc.

VVVF transformer

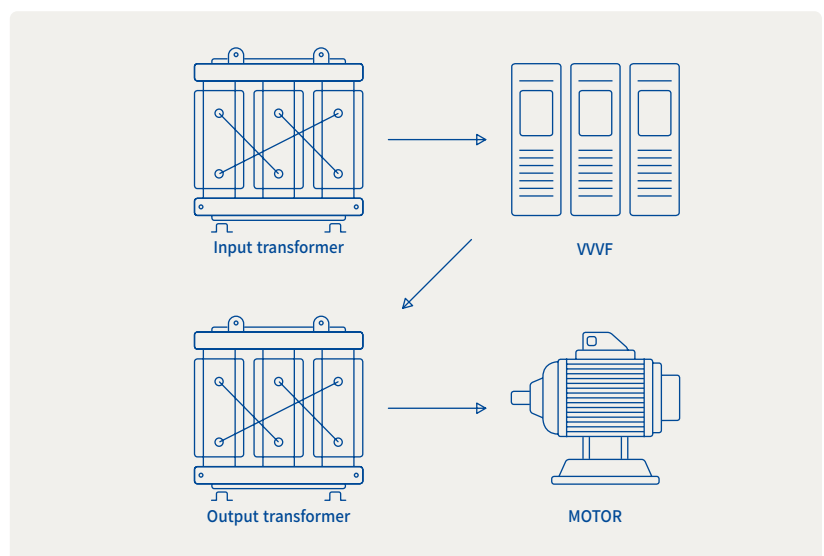
- This is used as an input/output transformer for 6Pulse, 12Pulse, 24Pulse.

Input transformer

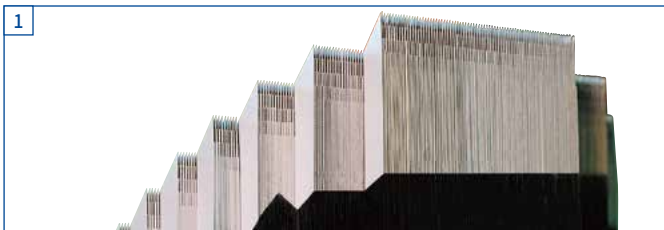
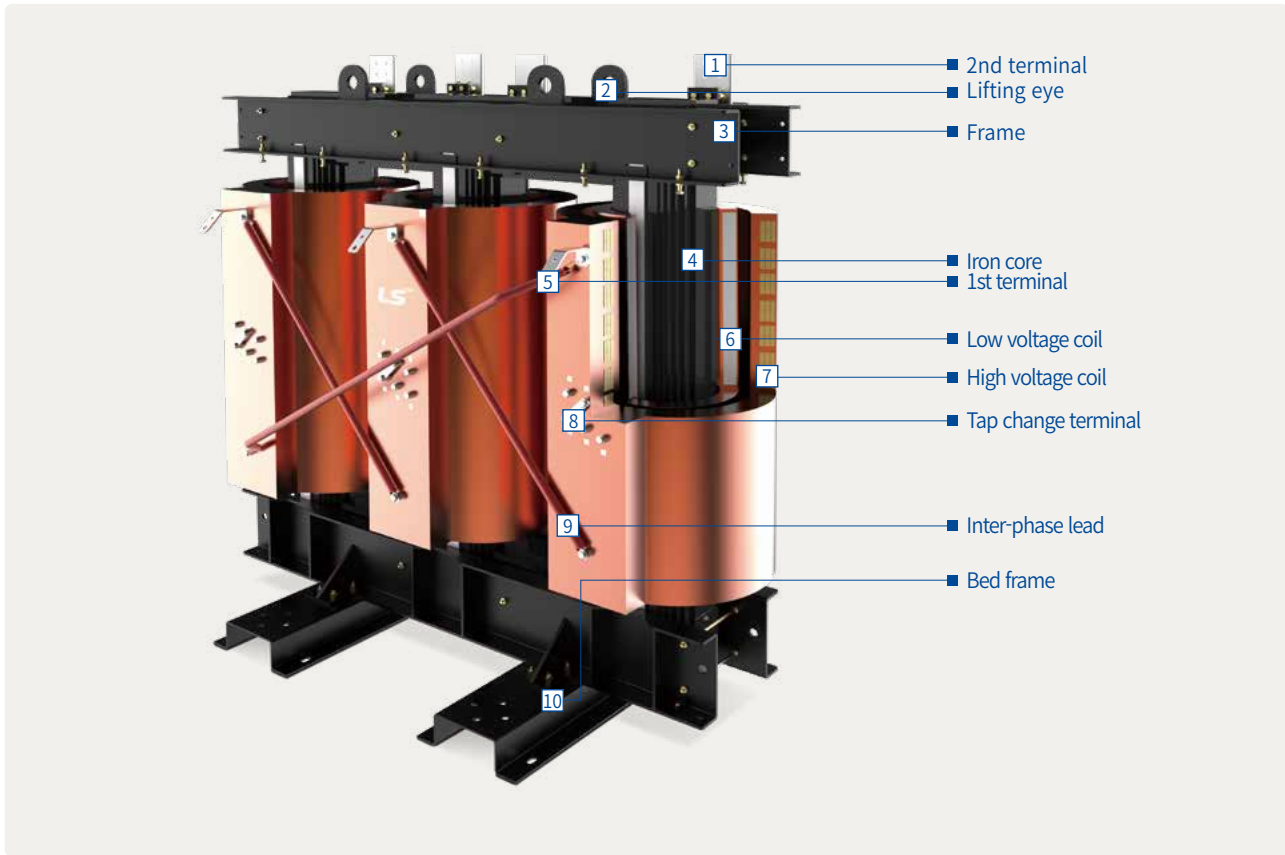
- This is used when the system voltage is different from the VVVF input voltage or when isolation is needed.
- The input transformer isolates VVVF from the system and reduces short circuit currents.
- Using an electro-magnetic shield specially designed between high and low voltage coils not only reduces harmonics generated from VVVF but also reduces transient voltages introduced from the system to protect VVVF.

Output transformer

- This is used when the VVVF output voltage is different from the motor voltage or when isolation is needed.
- This is made as a step-up transformer in general.
- This is designed and made based on the data from the rectifier maker because output voltages contain frequency variations, harmonic components and DC components transiently.



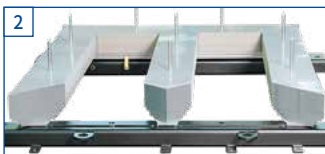
Components



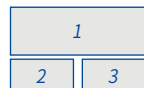
Iron core

The iron core uses cold-rolled oriented silicon steel plates of good quality and uses a step-lap method to conserve the characteristics of silicon steel plates to function in no-load loss and exciting current characteristics.

The surface of the iron core is protected by antirusting painting.



1. Step lap core
2. Core stacking
3. Core assembly



High voltage coil

This is vacuum-cast with epoxy resin with excellent mechanical and electrical performances using conductors with high conductivity to be outstanding in short circuit strength and insulation performance.



Low voltage coil

Using conductor and Prepreg insulating paper and it's casted in epoxy resin to work well in short circuit strength and humidity resistance.



1. HV coil vacuum cast type
2. LV coil encapsulated cast type
3. LV coil vacuum cast type (Optional)



Standard components



HV terminal
This is connected to the inlet cable, so please check the bolt tightening condition before inputting power.



LV terminal
This is connected to the flexible bus and cable in the low voltage load side, so please check the bolt tightening condition before inputting power.



Grounding terminal
This is attached on the bottom frame, so please check the grounding condition before inputting power.



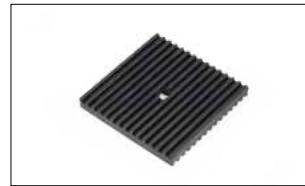
Tap change terminal
To change the 2nd voltage of the transformer, turn off the power and adjust the tap terminal.



Danger mark
Touching the coil surface during operation of the transformer can cause danger, so please do not touch it during operation



Lifting eye
This is attached on the top frame, so use it to lift the transformer.



Anti-vibration pad
Insert anti-vibration pad between the transformer and ground to prevent iron core vibrations from transferring to the ground during operation.



Tap change terminal cover
The conductor part of the tap terminals secures, insulation distance and improve safety.

Option components

Digital thermometer / Controller



P2-100
1 point temperature measurement, alarm, trip, fan control



P2-300M
3 points temperature measurement, alarm, trip, fan control



P2-300F
3 points temperature measurement, alarm, trip, fan control, fan fault check, fan operating time/alarm, fan step-by-step operating



P2-400
4 points temperature measurement, alarm, trip, fan control



P2-400CH
4 points temperature measurement, alarm, trip, fan control, measuring harmonic current/voltage

Cooling fan



Low noise cooling fan



Large cooling fan

Other accessories



Bidirectional wheel



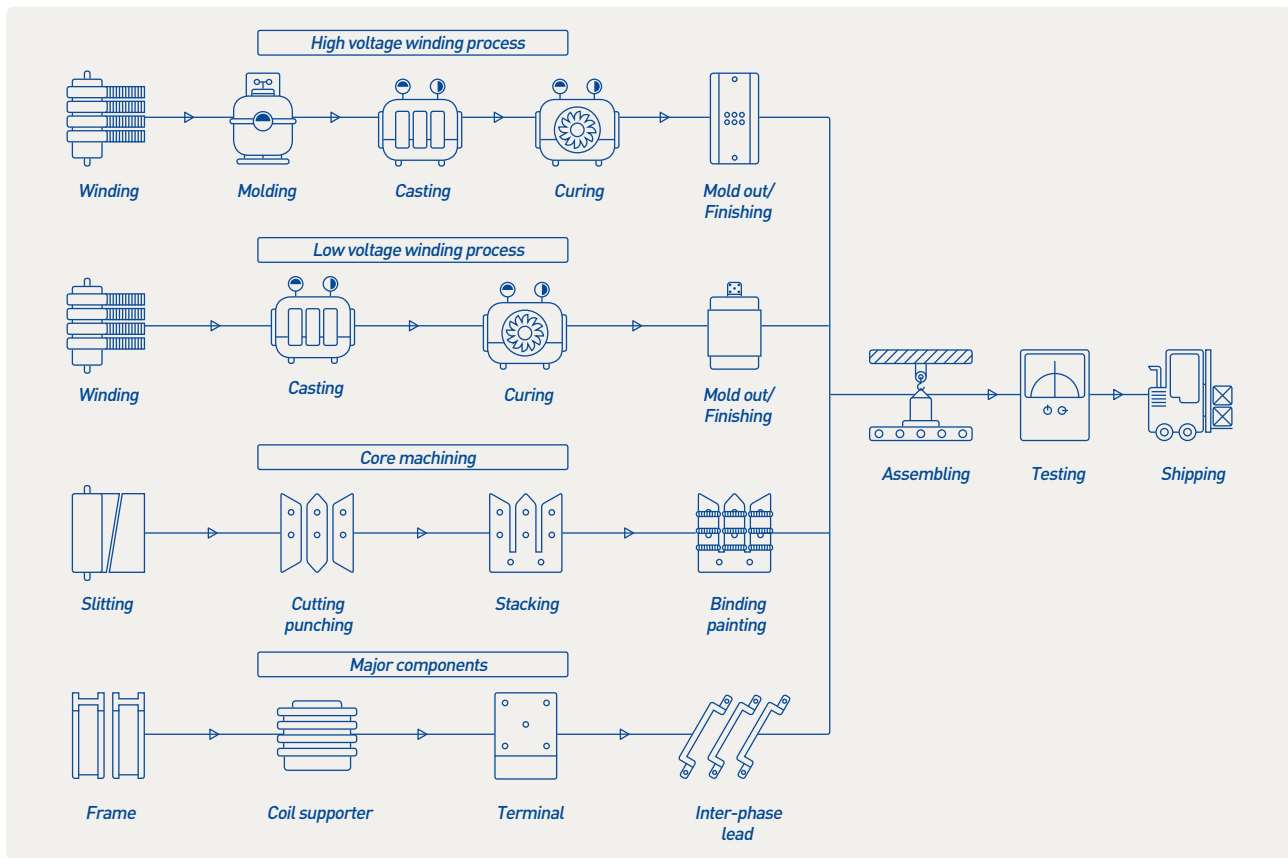
Enclosure



Extension busbar



Manufacturing and quality management



We have an authorized power test technology center, operating ISO 9001-certificates quality system and performing tests according to IEC 60076-11, IEEE C57.12.01, KSC 4311, Etc.

Routine test

We manage the quality of all transformers produced by our factory according to the ISO 9001 system, and perform tests according to National Standard.

- Structure inspection
- Coil resistance measurement
- Transformation ratio, polarity and angular displacement test
- No-load current and no-load loss test
- Load loss and impedance voltage test
- Normal frequency withstand voltage test
- Induction withstand voltage test
- Partial discharge test (10pC or less)

Type test

The type test is executed when there is a demand from customers or when changing the type of a transformer.

- Full wave lightning impulse test (LI)
- Temperature rise test

Special test

LS Cast Resin Transformer has completed the following tests during the product development stage to exert the performance of products to be used in environments.

- Short circuit test certified by KERI and PT&T
- Noise test according to IEC 60076-10, using a Pressure Level (Lp)

An environment resistance test was performed on LS Cast Resin Transformer according to the revised standard IEC 60076-11 at an international institution CESI(Italia) for the first time in Korea.

- Environmental test (Moisture-resistance test) Test on whether the transformer works normally in moisture/water condensation or contamination conditions at the place of use
- Climatic test (Thermal shock test) Internal crack performance test depending on rapid temperature or load changes during transportation, storage and operation
- Fire behavior test (Non-flam mability and toxic gas test) Test on self-extinguishability and whether toxic gases are generated in the case of fire

$$Lw(A) = Lp(A) + 10\log(S)$$

S = 1.25 × H × P
 H : Transformer height
 P : Length of the ellipse connecting the measurement positions

Standard specification

CAST RESIN TRANSFORMER

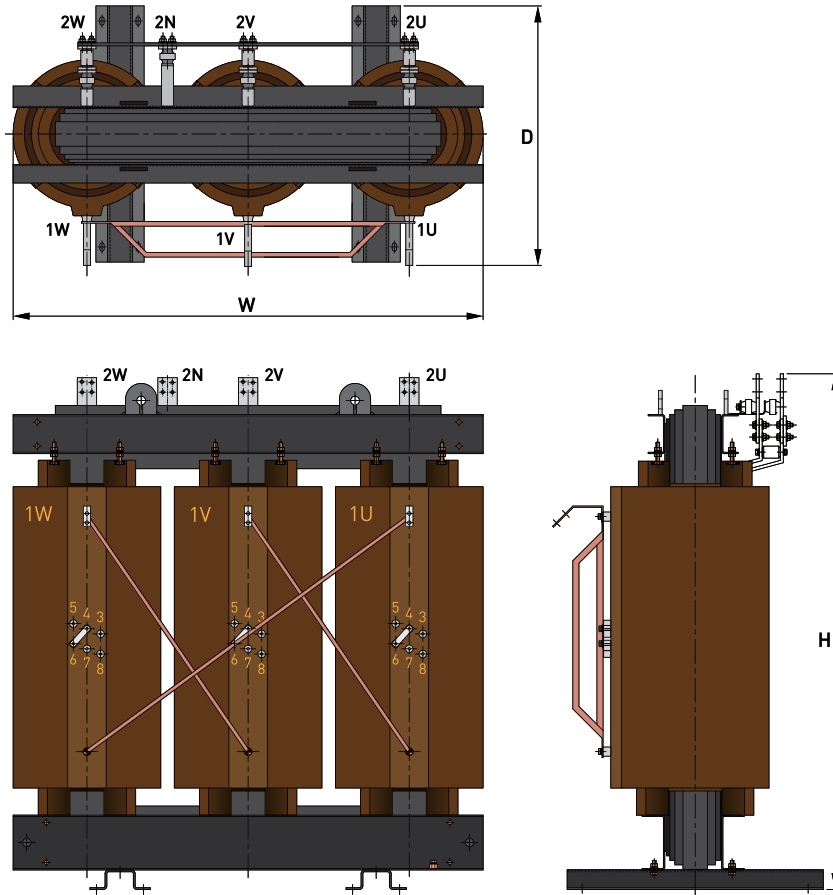
Division		Standard specification		
Installation place		Indoor, Outdoor with enclosure		
Applicable standard		IEC 60076-11 (or IEEE C57.12.01, JEC2200, Etc.)		
Rated frequency, fr	[Hz]	50, 60		
Insulation System Class		F Class (or H Class)		
Limited Winding temperature rise	[k]	100 (or 125)		
Highest voltag, Um, (r.m.s.)	[kV]	36	24	12
HV rated voltage, Ur	[kV]	33	22	10
Tapping volatge step, range		5 Taps, $\pm 2 \times 2.5\%$		
LV rated voltage, Ur	[V]	400		
Connection symbol		Dyn11 (or Dyn1, Dd0, YNd1, Etc.)		
Full wave lightning impulse voltage (HV/LV)	[kV]	145 / -, 170 / -	95 / - 125 / -	60 / - 75 / -
Applied voltage (HV/LV)	[kV]	70 / 3	50 / 3	28 / 3
Rated Power, Sr	[kVA]	-	100	100
		160	160	160
		250	250	250
		400	400	400
		630	630	630
		800	800	800
		1000	1000	1000
		1250	1250	1250
		1600	1600	1600
		2000	2000	2000
		2500	2500	2500
3150	3150	3150		
Enclosure		IP 2X, IP 3X, IP 4X		

* The above descriptions are standard specifications, but other specifications are available according to orders. (~36kV, ~25MVA)

Metasol

Compact design and reasonable solution

Standard : IEC 60076-11



Rated voltage(Ur) : 10 kV/400V

Rated power (kVA)	Impedance voltage: uK (%)	No-load loss: P0 (W)	Load loss: PK (W)		Efficiency (%) at 75°C		Exciting Current: IO (%)	Voltage regulation (%)	Sound level: LpA (dB)	Dimension (mm)				Weight (kg)
			at 75°C	at 120°C	100% Load	50% Load				Width (W)mm	Depth (D)mm	Height (H)mm	Height+ Wheels mm	
100	6.0	400	1750	2050	97.38	98.03	1.0	2.4	55	1,070	700	1,130	1,185	650
160	6.0	550	2000	2300	98.08	98.48	1.0	1.9	55	1,175	800	1,205	1,260	900
250	6.0	700	3050	3800	98.06	98.57	1.0	1.8	56	1,265	800	1,255	1,310	1,100
400	6.0	900	4950	5650	98.23	98.74	1.0	1.8	57	1,250	800	1,410	1,465	1,300
630	6.0	1300	7550	8650	98.29	98.81	0.9	1.7	58	1,400	900	1,570	1,625	1,800
800	6.0	1600	7750	10000	98.43	98.89	0.9	1.6	59	1,430	900	1,680	1,735	2,150
1000	6.0	1900	10000	11500	98.55	98.96	0.8	1.5	59	1,505	1,000	1,695	1,750	2,400
1250	6.0	2400	11150	12800	98.68	99.02	0.8	1.4	59	1,625	1,000	1,745	1,800	2,900
1600	6.0	3000	12000	13800	98.86	99.12	0.8	1.3	63	1,745	1,000	1,805	1,860	3,600
2000	6.0	3650	13850	15900	98.94	99.17	0.8	1.2	65	1,815	1,200	2,045	2,160	4,300
2500	6.0	4500	17550	20150	98.93	99.17	0.8	1.2	65	1,965	1,200	2,085	2,200	5,100
3150	7.0	5400	18000	22000	99.05	99.24	0.7	1.1	66	2,205	1,200	2,120	2,235	6,250

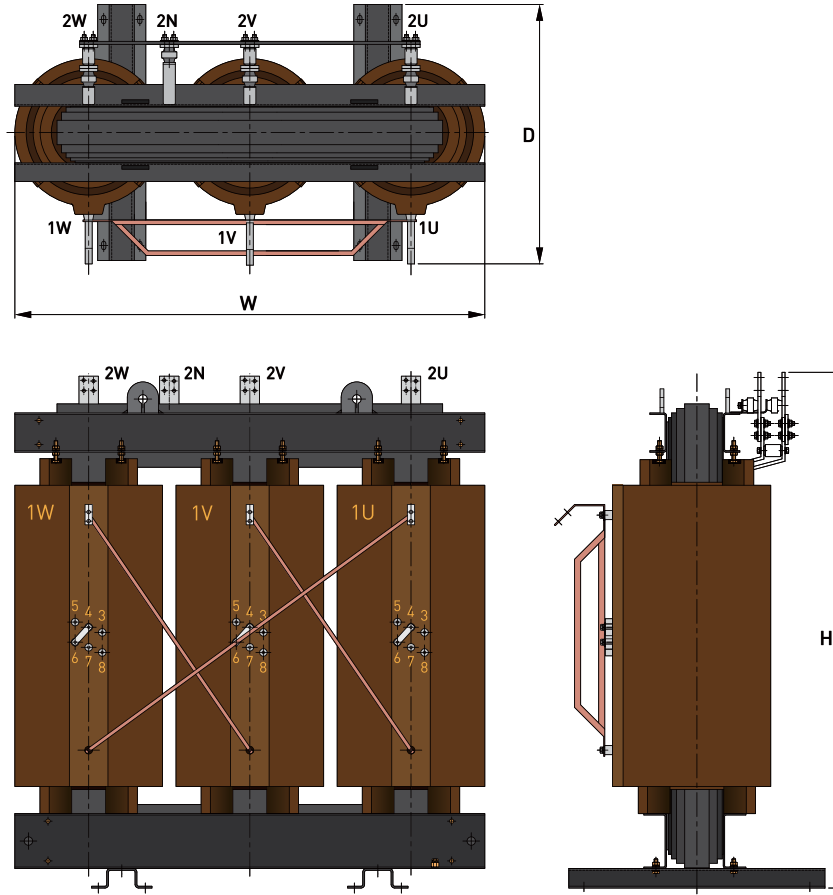
Rated voltage(Ur) : 22 kV/400V

Rated power (kVA)	Impedance voltage : uK (%)	No-load loss : P0 (W)	Load loss : PK (W)		Efficiency (%) at 120°C		Exciting Current : IO (%)	Voltage regulation (%)	Sound level : LpA (dB)	Dimension (mm)				Weight (kg)
			at 75°C	at 120°C	100% Load	50% Load				Width (W)mm	Depth (D)mm	Height (H)mm	Height+ Wheels mm	
250	6.0	850	3,443	3,959	97.9	98.5	1.0	1.7	55	1,290	1,100	1,450	1,465	1,150
320	6.0	1,020	4,017	4,620	98.0	98.6	1.0	1.6	57	1,385	1,100	1,470	1,485	1,400
400	6.0	1,150	4,700	5,405	98.2	98.7	1.0	1.5	57	1,370	1,100	1,510	1,525	1,500
560	6.0	1,610	6,000	6,900	98.3	98.8	1.0	1.5	57	1,460	1,200	1,620	1,675	1,900
630	6.0	1,700	6,200	7,130	98.4	98.9	0.9	1.5	58	1,530	1,200	1,665	1,680	2,150
750	6.0	2,050	6,520	7,498	98.6	98.9	0.9	1.4	58	1,575	1,200	1,655	1,710	2,350
800	6.0	2,120	6,644	7,641	98.7	99.0	0.9	1.4	59	1,560	1,200	1,775	1,790	2,450
1,000	6.0	2,400	7,140	8,211	98.8	99.0	0.8	1.4	59	1,640	1,200	1,805	1,820	2,800
1,250	6.0	2,850	10,360	11,914	98.7	99.1	0.8	1.4	59	1,740	1,200	1,815	1,865	3,200
1,600	6.0	3,300	11,400	13,110	98.8	99.2	0.8	1.4	61	1,845	1,200	2,050	2,125	4,000
2,000	6.0	4,100	12,261	14,100	99.0	99.2	0.7	1.3	63	1,980	1,400	2,170	2,245	4,850
2,500	6.5	5,150	15,140	17,411	99.0	99.2	0.7	1.0	63	2,070	1,400	2,150	2,265	5,500
3,200	7.0	6,050	18,696	21,500	99.0	99.2	0.9	1.0	65	2,295	1,400	2,170	2,285	6,700

Rated voltage(Ur) : 33 kV/400V

Rated power (kVA)	Impedance voltage : uK (%)	No-load loss : P0 (W)	Load loss : PK (W)		Efficiency (%) at 75°C		Exciting Current : IO (%)	Voltage regulation (%)	Sound level : LpA (dB)	Dimension (mm)				Weight (kg)
			at 75°C	at 120°C	100% Load	50% Load				Width (W)mm	Depth (D)mm	Height (H)mm	Height+ Wheels mm	
160	6.0	960	2500	2860	97.44	97.75	1.4	2.0	55	1,540	1,010	1,645	1,685	1,450
250	6.0	1280	3650	4180	97.65	98.00	1.4	2.0	55	1,540	1,010	1,685	1,725	1,600
400	6.0	1650	5250	6000	97.94	98.30	1.2	2.0	57	1,580	1,080	1,860	1,875	2,000
630	6.0	2200	7300	8360	98.19	98.52	1.2	1.9	58	1,690	1,105	1,945	1,985	2,550
800	6.0	2700	8300	9500	98.35	98.62	1.2	1.6	59	1,775	1,210	2,030	2,070	3,000
1000	6.0	3100	10000	11500	98.42	98.70	1.2	1.4	59	1,805	1,225	2,180	2,235	3,400
1250	6.0	3700	11350	13000	98.55	98.79	1.2	1.4	59	1,895	1,230	2,230	2,290	4,000
1600	6.0	4200	13500	15500	98.66	98.90	1.2	1.3	61	2,015	1,260	2,260	2,320	4,750
2000	7.0	5000	15700	18000	98.75	98.97	1.1	1.3	63	2,150	1,275	2,330	2,405	5,400
2500	8.0	5800	18200	20900	98.84	99.04	1.0	1.3	63	2,360	1,315	2,380	2,435	6,350
3150	9.0	7000	21050	24200	98.92	99.10	0.9	1.3	65	2,540	1,355	2,410	2,265	7,500

Standard : IEC60076-11, EU 548(Tier 1) / EN 50588-1(Tier 1) / IEC TS 60076-20(Level 1)



Rated voltage(Ur) : 10 kV/400V

Rated power (kVA)	Impedance voltage : uK (%)	No-load loss : P0 (W)	Load loss : PK (W)		Efficiency (%) at 75°C		Exciting Current : IO (%)	Voltage regulation (%)	Sound level : LpA (dB)	Dimension (mm)				Weight (kg)
			at 75°C	at 120°C	100% Load	50% Load				Width (W)mm	Depth (D)mm	Height (H)mm	Height+ Wheels mm	
100	6.0	280	1800	2050	97.50	98.29	1.0	2.4	51	1,135	710	1,170	1,185	750
160	6.0	400	2000	2300	98.18	98.68	0.9	1.9	52	1,175	800	1,200	1,215	900
250	6.0	520	3050	3500	98.26	98.79	0.9	1.8	53	1,265	800	1,275	1,290	1,050
400	6.0	750	4800	5500	98.31	98.84	0.9	1.8	54	1,250	800	1,440	1,455	1,350
630	6.0	1100	6650	7600	98.50	98.96	0.8	1.6	55	1,400	900	1,640	1,655	1,850
800	6.0	1300	7000	8000	98.74	99.10	0.8	1.5	56	1,505	1,000	1,720	1,735	2,350
1000	6.0	1550	7850	9000	98.85	99.17	0.7	1.4	57	1,600	1,000	1,710	1,725	2,700
1250	6.0	1800	9600	11000	98.89	99.21	0.7	1.3	58	1,655	1,000	1,830	1,845	3,100
1600	6.0	2200	11350	13000	98.97	99.26	0.7	1.2	59	1,840	1,200	1,850	1,865	4,000
2000	6.0	2600	13850	15900	98.99	99.28	0.7	1.2	60	1,880	1,200	2,100	2,175	4,600
2500	6.0	3100	16550	19000	99.04	99.31	0.7	1.2	61	2,025	1,200	2,170	2,245	5,450
3150	7.0	3800	19150	22000	99.11	99.35	0.6	1.1	62	2,205	1,200	2,190	2,265	6,400

Rated voltage(Ur): 22 kV/400V

Rated power (kVA)	Impedance voltage : uK (%)	No-load loss : P0 (W)	Load loss : PK (W)		Efficiency (%) at 75°C		Exciting Current : IO (%)	Voltage regulation (%)	Sound level : LpA (dB)	Dimension (mm)				Weight (kg)
			at 75°C	at 120°C	100% Load	50% Load				Width (W)mm	Depth (D)mm	Height (H)mm	Height+ Wheels mm	
100	6.0	280	1800	2050	97.50	98.29	1.0	2.4	51	1,295	800	1,305	1,320	950
160	6.0	400	2550	2900	97.78	98.48	0.9	1.9	52	1,295	800	1,305	1,320	1,050
250	6.0	520	3000	3550	98.24	98.78	0.9	1.8	53	1,290	900	1,495	1,510	1,250
400	6.0	750	4500	5200	98.39	98.89	0.9	1.8	54	1,385	900	1,510	1,525	1,550
630	6.0	1100	6100	7050	98.60	99.01	0.8	1.6	55	1,485	920	1,680	1,695	2,000
800	6.0	1300	7000	8000	98.74	99.10	0.8	1.5	56	1,560	1,000	1,790	1,805	2,450
1000	6.0	1550	7850	9000	98.85	99.17	0.7	1.4	56	1,560	1,000	1,790	1,805	2,450
1250	6.0	1800	9600	11000	98.89	99.21	0.7	1.3	58	1,775	1,025	1,900	1,915	3,450
1600	6.0	2200	11350	13000	98.97	99.26	0.7	1.2	59	1,880	1,200	1,930	2,005	4,100
2000	6.0	2600	13950	16000	98.99	99.28	0.7	1.2	60	1,875	1,200	2,140	2,215	4,400
2500	6.0	3100	16000	19000	99.04	99.31	0.7	1.2	61	2,155	1,200	2,220	2,295	6,200
3150	6.0	3800	18500	22000	99.11	99.35	0.6	1.1	62	2,305	1,225	2,260	2,335	7,050

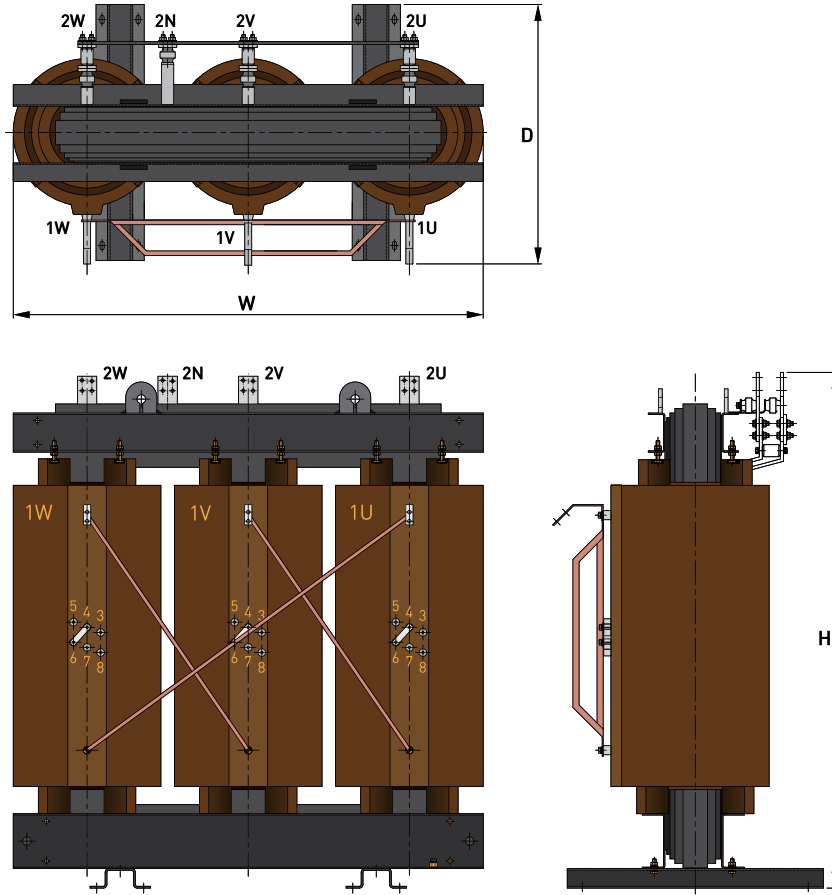
Rated voltage(Ur): 33 kV/400V

Rated power (kVA)	Impedance voltage : uK (%)	No-load loss : P0 (W)	Load loss : PK (W)		Efficiency (%) at 75°C		Exciting Current : IO (%)	Voltage regulation (%)	Sound level : LpA (dB)	Dimension (mm)				Weight (kg)
			at 75°C	at 120°C	100% Load	50% Load				Width (W)mm	Depth (D)mm	Height (H)mm	Height+ Wheels mm	
160	6.0	460	2500	2860	97.77	98.41	0.9	1.9	52	1,640	1,040	1,775	1,790	1,950
250	6.0	598	3650	4180	97.94	98.57	0.9	1.8	53	1,715	1,090	1,775	1,790	2,450
400	6.0	863	5000	5700	98.23	98.76	0.9	1.8	54	1,705	1,085	2,000	2,015	2,750
630	6.0	1265	7300	8360	98.35	98.84	0.8	1.6	55	1,870	1,135	2,060	2,075	3,550
800	6.0	1495	7700	8800	98.60	98.99	0.8	1.5	56	1,930	1,240	2,090	2,105	4,150
1000	6.0	1783	8650	9900	98.73	99.07	0.7	1.4	57	1,895	1,230	2,210	2,225	4,000
1250	6.5	2070	10550	12100	98.77	99.11	0.7	1.3	58	2,015	1,260	2,260	2,335	4,800
1600	6.5	2530	12450	14300	98.86	99.17	0.7	1.2	59	2,150	1,280	2,320	2,395	5,650
2000	6.5	2990	15350	17600	98.88	99.19	0.7	1.2	60	2,345	1,325	2,470	2,545	7,350
2500	7.0	3565	18200	20900	98.94	99.23	0.7	1.2	61	2,480	1,335	2,490	2,565	8,150
3150	7.5	4370	21050	24200	99.01	99.28	0.6	1.1	62	2,660	1,365	2,530	2,605	9,300

Metasol T2

Optimized efficiency and eco-friendly

Standard : IEC60076-11 / EU 548(Tier 2) / EN 50588-1(Tier 2) / IEC TS 60076-20(Level 2)



Rated voltage(U_r) : 10 kV/400V

Rated power (kVA)	Impedance voltage: uK (%)	No-load loss: P0 (W)	Load loss: PK (W)		Efficiency (%) at 75°C		Exciting Current: IO (%)	Voltage regulation (%)	Sound level: LpA (dB)	Dimension (mm)				Weight (kg)
			at 75°C	at 120°C	100% Load	50% Load				Width (W)mm	Depth (D)mm	Height (H)mm	Height+ Wheels mm	
100	6.0	252	1600	1800	97.79	98.48	1.0	2.4	50	1,135	710	1,170	1,185	750
160	6.0	360	2000	2300	98.20	98.73	0.9	1.9	51	1,175	800	1,200	1,215	900
250	6.0	468	3000	3400	98.33	98.85	0.9	1.8	52	1,265	800	1,275	1,290	1,100
400	6.0	675	3950	4500	98.60	99.02	0.9	1.8	53	1,405	815	1,470	1,485	1,650
630	6.0	990	6200	7100	98.61	99.04	0.8	1.6	54	1,400	900	1,640	1,655	1,850
800	6.0	1170	7000	8000	98.75	99.14	0.8	1.5	55	1,505	1,000	1,720	1,735	2,350
1000	6.0	1395	7850	9000	98.87	99.20	0.7	1.4	56	1,600	1,000	1,710	1,725	2,700
1250	6.0	1620	9600	11000	98.90	99.24	0.7	1.3	57	1,655	1,000	1,830	1,845	3,100
1600	6.0	1980	11350	13000	98.98	99.29	0.7	1.2	58	1,840	1,200	1,850	1,865	4,000
2000	6.0	2340	13850	15900	99.01	99.31	0.7	1.2	59	1,880	1,200	2,100	2,175	4,600
2500	6.0	2790	16550	19000	99.05	99.34	0.7	1.2	60	2,040	1,200	2,170	2,245	5,650
3150	7.0	3420	19150	22000	99.12	99.38	0.6	1.1	61	2,205	1,200	2,190	2,265	6,400

Rated voltage(Ur): 22 kV/400V

Rated power (kVA)	Impedance voltage : uK (%)	No-load loss : P0 (W)	Load loss : PK (W)		Efficiency (%) at 75°C		Exciting Current : IO (%)	Voltage regulation (%)	Sound level : LpA (dB)	Dimension (mm)				Weight (kg)
			at 75°C	at 120°C	100% Load	50% Load				Width (W)mm	Depth (D)mm	Height (H)mm	Height+ Wheels mm	
100	6.0	252	1600	1800	97.79	98.48	1.0	2.0	50	1,295	800	1,305	1,320	1,000
160	6.0	360	2300	2600	98.01	98.63	0.9	1.9	51	1,295	800	1,305	1,320	1,100
250	6.0	468	3000	3400	98.33	98.85	0.9	1.6	52	1,370	900	1,495	1,510	1,450
400	6.0	675	3950	4500	98.60	99.02	0.9	1.5	53	1,430	900	1,650	1,665	1,800
630	6.0	990	6100	7050	98.62	99.05	0.8	1.5	54	1,530	1,000	1,710	1,725	2,250
800	6.0	1170	7000	8000	98.75	99.14	0.8	1.4	55	1,560	1,000	1,790	1,805	2,550
1000	6.0	1395	7850	9000	98.87	99.20	0.7	1.2	56	1,695	1,005	1,820	1,835	3,000
1250	6.0	1620	9600	11000	98.90	99.24	0.7	1.1	57	1,820	1,025	1,930	1,945	3,800
1600	6.0	1980	11350	13000	98.98	99.29	0.7	1.0	58	1,935	1,200	1,960	2,035	4,500
2000	6.0	2340	13950	16000	99.00	99.31	0.7	1.0	59	1,965	1,200	2,200	2,275	5,250
2500	6.0	2790	16000	19000	99.05	99.34	0.7	0.9	60	2,175	1,205	2,280	2,355	6,900
3150	6.0	3420	18500	22000	99.12	99.38	0.6	0.9	61	2,305	1,225	2,290	2,365	7,500

Rated voltage(Ur): 33 kV/400V

Rated power (kVA)	Impedance voltage : uK (%)	No-load loss : P0 (W)	Load loss : PK (W)		Efficiency (%) at 75°C		Exciting Current : IO (%)	Voltage regulation (%)	Sound level : LpA (dB)	Dimension (mm)				Weight (kg)
			at 75°C	at 120°C	100% Load	50% Load				Width (W)mm	Depth (D)mm	Height (H)mm	Height+ Wheels mm	
160	6.0	414	2500	2860	97.80	98.47	0.9	1.9	51	1,640	1,040	1,735	1,750	2,050
250	6.0	538	3300	3740	98.15	98.72	0.9	1.6	52	1,715	1,090	1,805	1,820	2,650
400	6.0	776	4350	4950	98.45	98.90	0.9	1.5	53	1,775	1,110	2,015	2,030	3,150
630	6.0	1139	6800	7810	98.46	98.93	0.8	1.5	54	1,985	1,135	2,090	2,105	4,000
800	6.0	1346	7700	8800	98.62	99.03	0.8	1.4	55	1,925	1,265	2,240	2,255	4,450
1000	6.5	1604	8650	9900	98.75	99.11	0.7	1.2	56	1,925	1,235	2,240	2,255	4,350
1250	6.5	1863	10550	12100	98.79	99.15	0.7	1.1	57	2,045	1,265	2,320	2,395	5,300
1600	6.5	2277	12450	14300	98.87	99.20	0.7	1.0	58	2,195	1,290	2,350	2,425	6,250
2000	6.5	2691	15350	17600	98.90	99.23	0.7	1.0	59	2,345	1,325	2,500	2,575	7,950
2500	7.0	3209	18200	20900	98.95	99.26	0.7	0.9	60	2,585	1,355	2,520	2,595	9,300
3150	7.5	3933	21050	24200	99.03	99.31	0.6	0.9	61	2,660	1,365	2,530	2,606	9,800

Installation and operation conditions

"Pre-inspection and maintenance are essential to increase the lifespan and efficiency of the product." "Please follow the recommendation instruction below for the simple maintenance of our cast resin transformer."

Checkpoints when installing cast resin transformers

Installation condition

- The installation place shall be clean, free from flooding and falling water from the ceiling.
- The installation place shall have a ventilation structure to ventilate the heat generated from the transformer.

Checking of cast resin transformers that are in a long-term storage condition

- If dust is accumulated after long-term storage of cast resin transformers, then remove dust using a vacuum cleaner or blow out dust with compressor and wipe out dust using a dry cloth. (too many using a, Rephrase).

The vinyl packing for prevention of foreign substances such as dust, screws, nuts and washers from invading shall be maintained until power is input after installation.

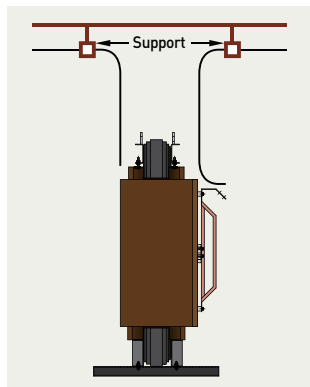
Torque values for connecting with low voltage terminals

Bolt	M8	M10	M12	M16
Torque	125	250	405	1,500

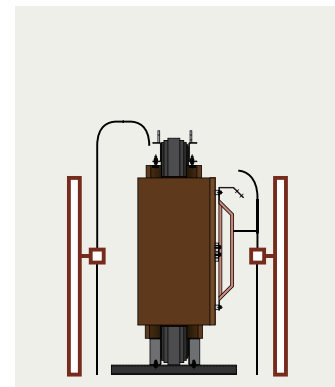
Unit : kgf-cm

Caution when connecting the terminals

When connecting cables or bus-bars to the HV, LV terminals, avoid mechanical stresses to the HV, LV terminals, and especially when connecting bus-bars, use flexible bus-bars by all means to reduce mechanical stresses due to transformer vibrations. Connecting bus-bars directly to the HV, LV terminals can loosen the connection parts or cause abnormal noises due to transformer vibrations during operation.



Top cabling (Cable)



Bottom cabling (Cable)

How to minimize transformer noises when installing transformers

- Install cushion rubber beneath the bed frame.
- When installing transformers, separate them mechanically from their enclosures to prevent vibrations of the enclosures.
- When connecting terminals, use flexible busbars.
- The transformer installation places shall be rigid and maintain horizons well.
- Large-capacity transformers shall be installed near pillars of the building to reduce vibrations.
- Avoid corners of the wall for installation.
- Install non-flammable sound-absorbing materials inside the panels if necessary.

Considerations for ventilation

Height and area of the vent

- In the case of natural cooling, ventilation of the enclosure shall discharge the heat generated from total heat loss of the transformer via natural convection.
- Proper ventilation is realized by the inflow of cold air from the inlet A and the outflow of hot air through the outlet A' located at a height H.

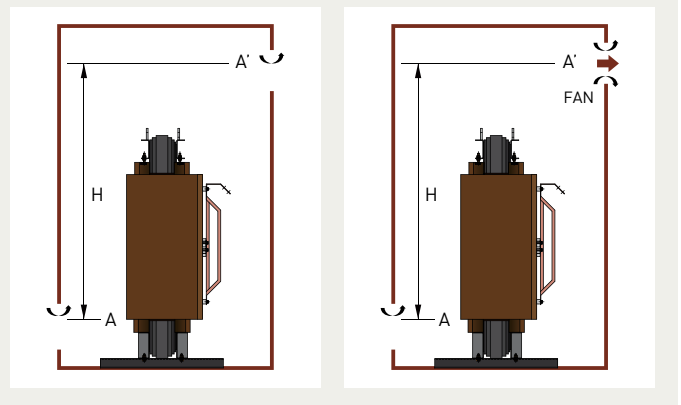
$$A = \frac{HL}{0.1 \sqrt{H\Delta\theta a^3}} \text{ (m}^2\text{)}$$

$$A' > A110\% \text{ (min.)}$$

A : Required inlet area (m²)
 A' : Required outlet area (m²)
 Δθa : Air temperature rise (K) = 15K (Approximate value)
 HL : Heat loss (kW)
 H : Distance from the center of the outlet and the center of the TR (m)

Forced ventilation

- When the average ambient temperature is higher than 20°C or the transformer is often operated in an overload condition, forced ventilation using fans is necessary if the vent area is less than the standard.



Minimum insulation distance

- Epoxy resin surface
- Ground
- Insulation-reinforced inter-phase lead surface
- Insulation cable

Checkpoints before receiving power

- Remove the packing vinyl cover and check the wiring condition, isolation distance, foreign substance residuals, component breakage, bolt torque, etc.
- Compare the connecting inter-phase leads of cast resin transformer with vector diagram on name plate.
- Measure the insulation resistance using a DC1000V insulation tester(Megger).

Highest voltage (kV)	BIL (kV)	Minimum clearance (mm)	
		Active – Earthed	Surface of epoxy Resin– Earthed
≤1.1	-		10
3.6	40	60	50
7.2	60	90	50
12	75	120	75
17.5	95	160	100
24	125	250	150
36	170	350	200

Maintenance / Repair

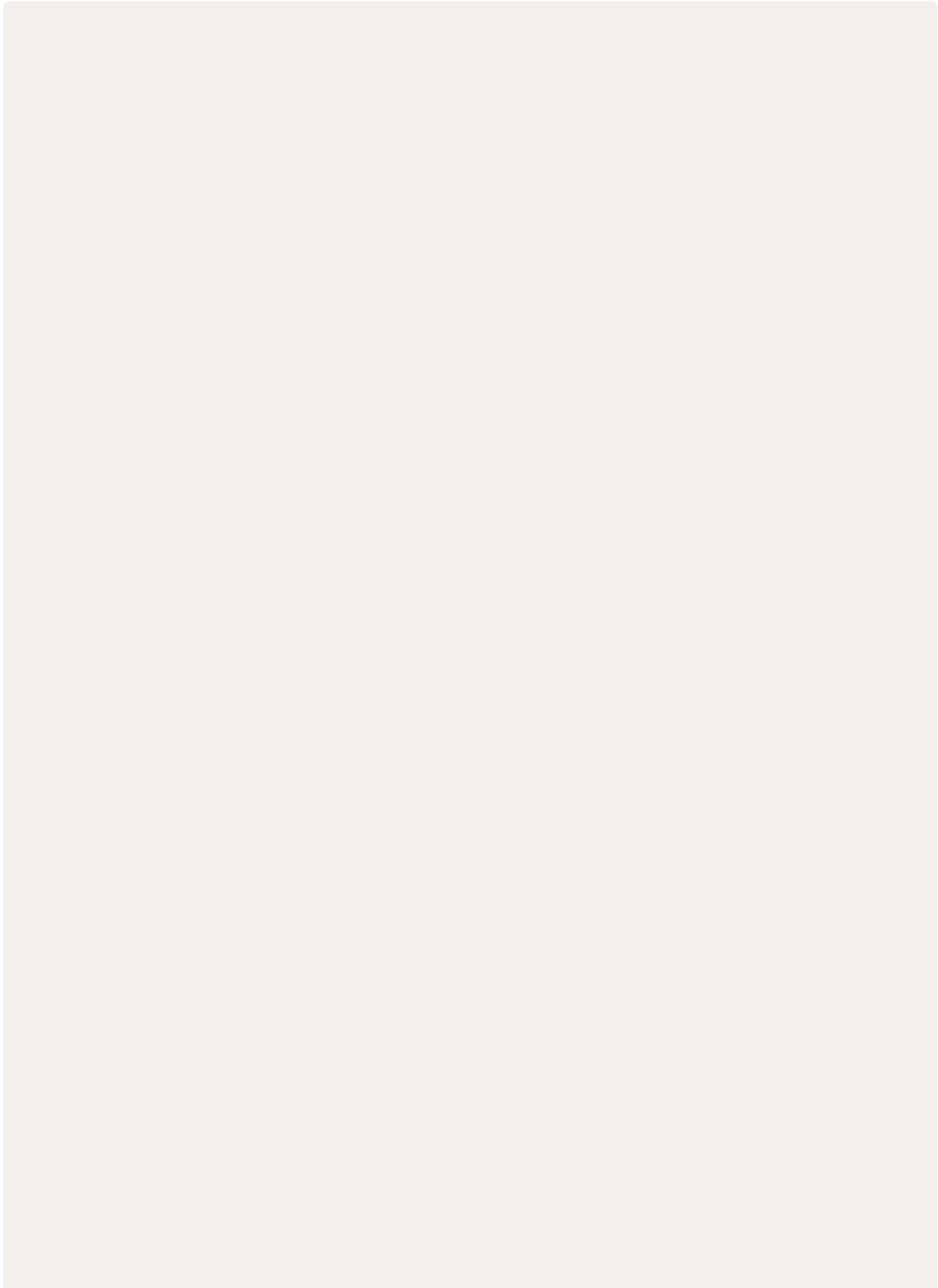
Environment for general use

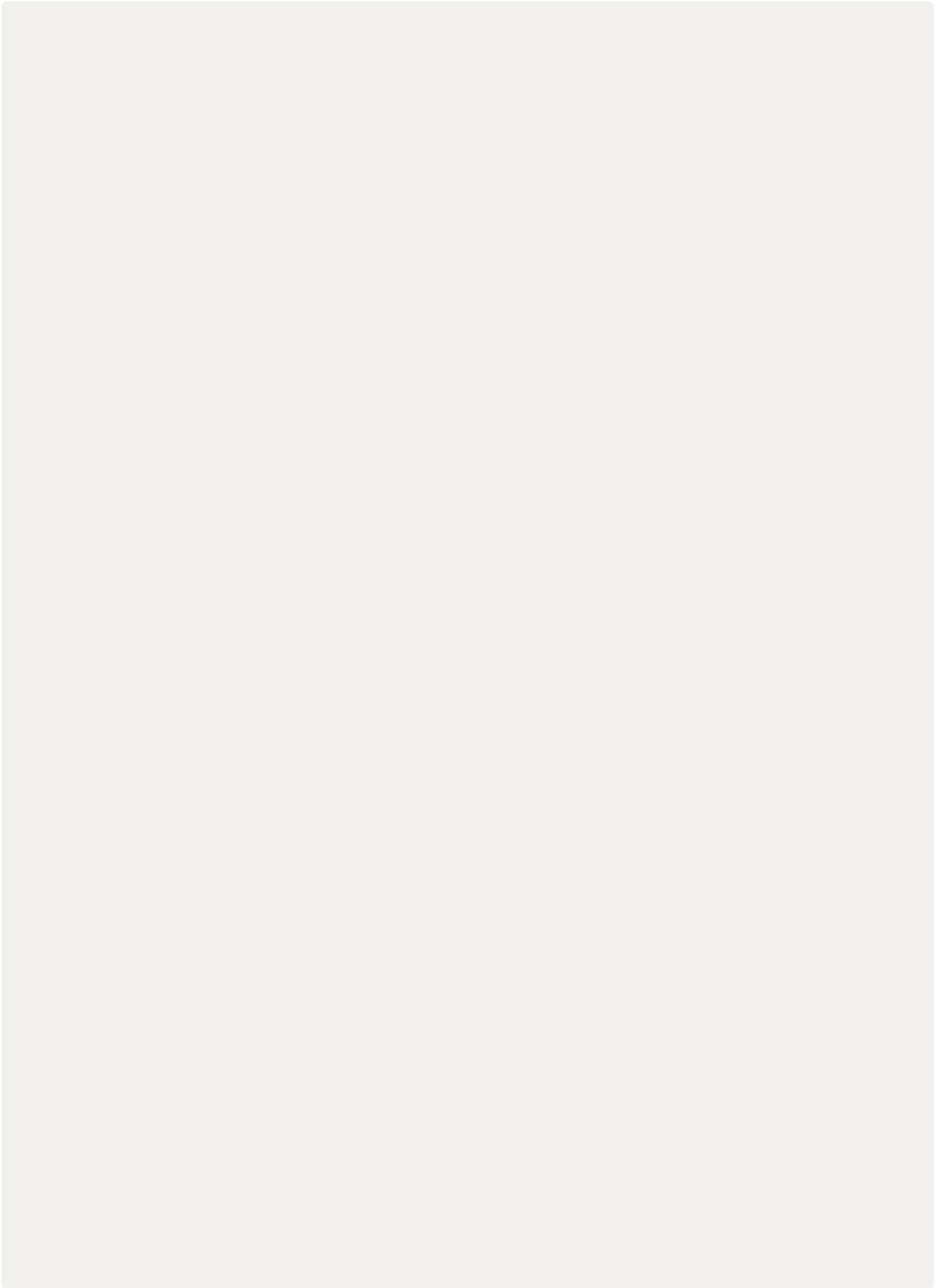
Remove dust using a vacuum cleaner and blow out the over-accumulated dust using a dry compressor every year. The cleaning period can differ depending on the use environment. During maintenance work, check the bolt mounting conditions using a torque wrench.

How to request A/S

In case transformer related A/S is necessary, identify the serial number on the nameplate of cast resin transformer and the exact condition for quick and proper A/S.

Memo





Global Network

LS has expanded its business all around the world
Our global network includes 9 overseas corporations,
13 overseas branches, in 12 countries.



R&D



R&D Campus

Focuses on gaining competitive advantages through development of next generation platforms



Power Device R&D Center

Leading technology in electric industry and continuously developing future-growth dynamic engines



Automation R&D Center

Serves as the main research institute for LS



PT&T (Testing laboratory)

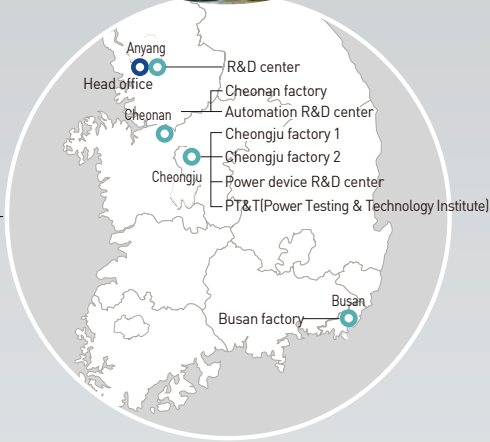
Internationally-renowned testing center that has formed partnerships with the UL, CE, KEMA and CESI

Factory



Cheongju Factory (Korea)

Electric products, mold TR, MV/LV switchgear, HV GIS



Cheonan Factory (Korea)

PLC, AC drive, HMI, DCS, PV module



Busan Factory (Korea)

HV TR, HVDC, FACTS



Wuxi Factory (China)

Electric products



Dalian Factory (China)

MV/LV switchgear, MV contactor



Hanoi Factory (Vietnam)

MV/LV switchgear, Mold TR



Safety Instructions

- For your safety, please read user's manual thoroughly before operating.
- Contact the nearest authorized service facility for examination, repair, or adjustment.
- Please contact qualified service technician when you need maintenance. Do not disassemble or repair by yourself!
- Any maintenance and inspection shall be performed by the personnel having expertise concerned.



- According to The WEEE Directive, please do not discard the device with your household waste.



www.ls-electric.com

■ Headquarter

LS-ro 127(Hogye-dong) Dongan-gu, Anyang-si, Gyeonggi-Do, 14119, Korea

■ Seoul Office

LS Yongsan Tower, 92, Hangang-daero, Yongsan-gu, Seoul, 04386, Korea
Tel: 82-2-2034-4916, 4684, 4429

■ Overseas Subsidiaries

- **LS ELECTRIC Japan Co., Ltd. (Tokyo, Japan)**
Tel: 81-3-6268-8241 E-Mail: japan@ls-electric.com
- **LS ELECTRIC (Dalian) Co., Ltd. (Dalian, China)**
Tel: 86-411-8730-5872 E-Mail: china.dalian@lselectric.com.cn
- **LS ELECTRIC (Wuxi) Co., Ltd. (Wuxi, China)**
Tel: 86-510-6851-6666 E-Mail: china.wuxi@lselectric.com.cn
- **LS ELECTRIC Vietnam Co., Ltd. (Hanoi, Vietnam)**
Tel: 84-222-22221-110 E-Mail: vietnam@ls-electric.com
- **LS ELECTRIC Middle East FZE (Dubai, U.A.E.)**
Tel: 971-4-886-5360 E-Mail: middleeast@ls-electric.com
- **LS ELECTRIC Europe B.V. (Hoofddorp, Netherlands)**
Tel: 31-20-654-1424 E-Mail: europartner@ls-electric.com
- **LS ELECTRIC America Inc. (Chicago, USA)**
Tel: 1-800-891-2941 E-Mail: sales.us@lselectricamerica.com
- **LS ENERGY Solutions LLC (Charlotte, USA)**
Tel: 1-704-587-4051 E-Mail: cmfeldman@ls-es.com
- **LS ELECTRIC Türkiye Co., Ltd. (Istanbul, Türkiye)**
Tel: 90-212-806-1252 E-Mail: turkiye@ls-electric.com
- **LS ELECTRIC IBERIA S.L.U. (Madrid, Spain)**
Tel: 34-910-28-02-74 E-Mail: iberia@ls-electric.com

■ Overseas Branches

- **LS ELECTRIC Tokyo Office (Japan)**
Tel: 81-3-6268-8241 E-Mail: tokyo@ls-electric.com
- **LS ELECTRIC Beijing Office (China)**
Tel: 86-10-5095-1631 E-Mail: china@lselectric.com.cn
- **LS ELECTRIC Shanghai Office (China)**
Tel: 86-21-5237-9977 E-Mail: china@lselectric.com.cn
- **LS ELECTRIC Guangzhou Office (China)**
Tel: 86-20-3818-2883 E-Mail: china@lselectric.com.cn
- **LS ELECTRIC Chengdu Office (China)**
Tel: 86-28-8670-3201 E-Mail: china@lselectric.com.cn
- **LS ELECTRIC Qingdao Office (China)**
Tel: 86-532-8501-2065 E-Mail: china@lselectric.com.cn
- **LS ELECTRIC Nanjing Office (China)**
Tel: 86-25-8467-0005 E-Mail: china@lselectric.com.cn
- **LS ELECTRIC Bangkok Office (Thailand)**
Tel: 66-90-950-9683 E-Mail: thailand@ls-electric.com
- **LS ELECTRIC Jakarta Office (Indonesia)**
Tel: 62-21-2933-7614 E-Mail: indonesia@ls-electric.com
- **LS ELECTRIC Moscow Office (Russia)**
Tel: 7-499-682-6130 E-Mail: info@lselectric-ru.com
- **LS ELECTRIC America Western Office (Irvine, USA)**
Tel: 1-949-333-3140 E-Mail: america@ls-electric.com
- **LS ELECTRIC India Office (India)**
Tel: 91-80-6142-9108 E-Mail: Info_india@ls-electric.com
- **LS ELECTRIC Singapore Office (Singapore)**
Tel: 65-6958-8162 E-Mail: singapore@ls-electric.com
- **LS ELECTRIC Italy office (Italy)**
Tel: 39-030-8081-833 E-Mail: italia@ls-electric.com